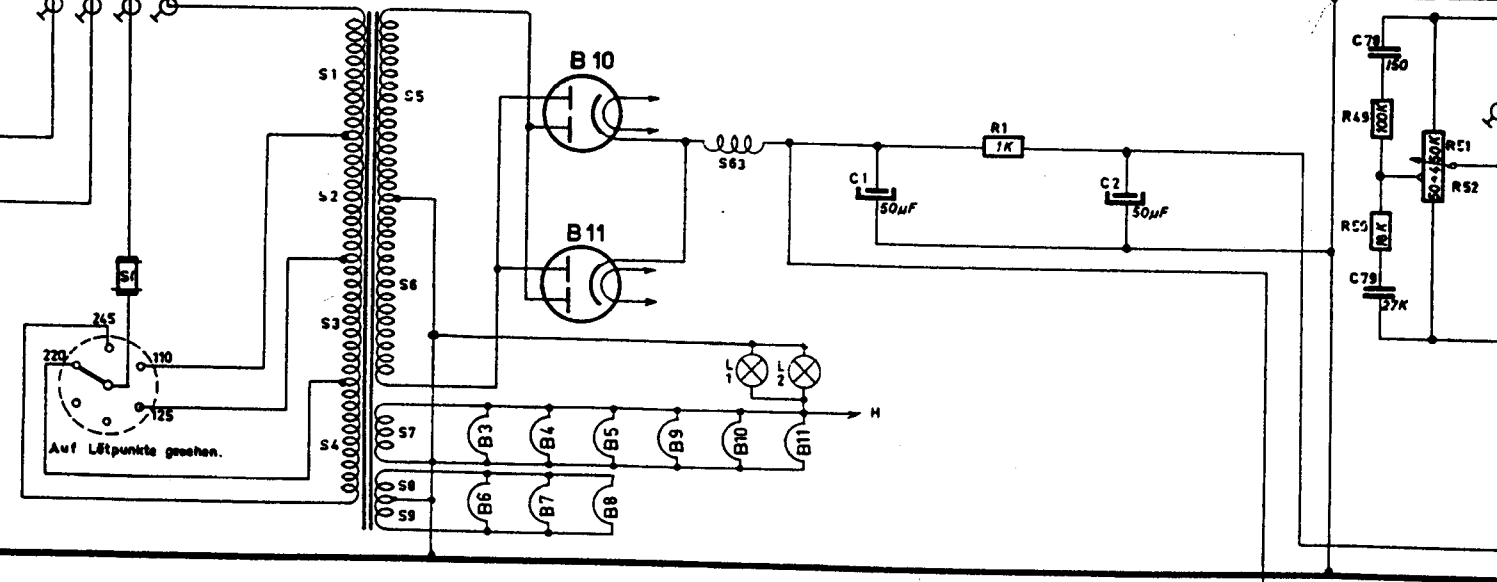
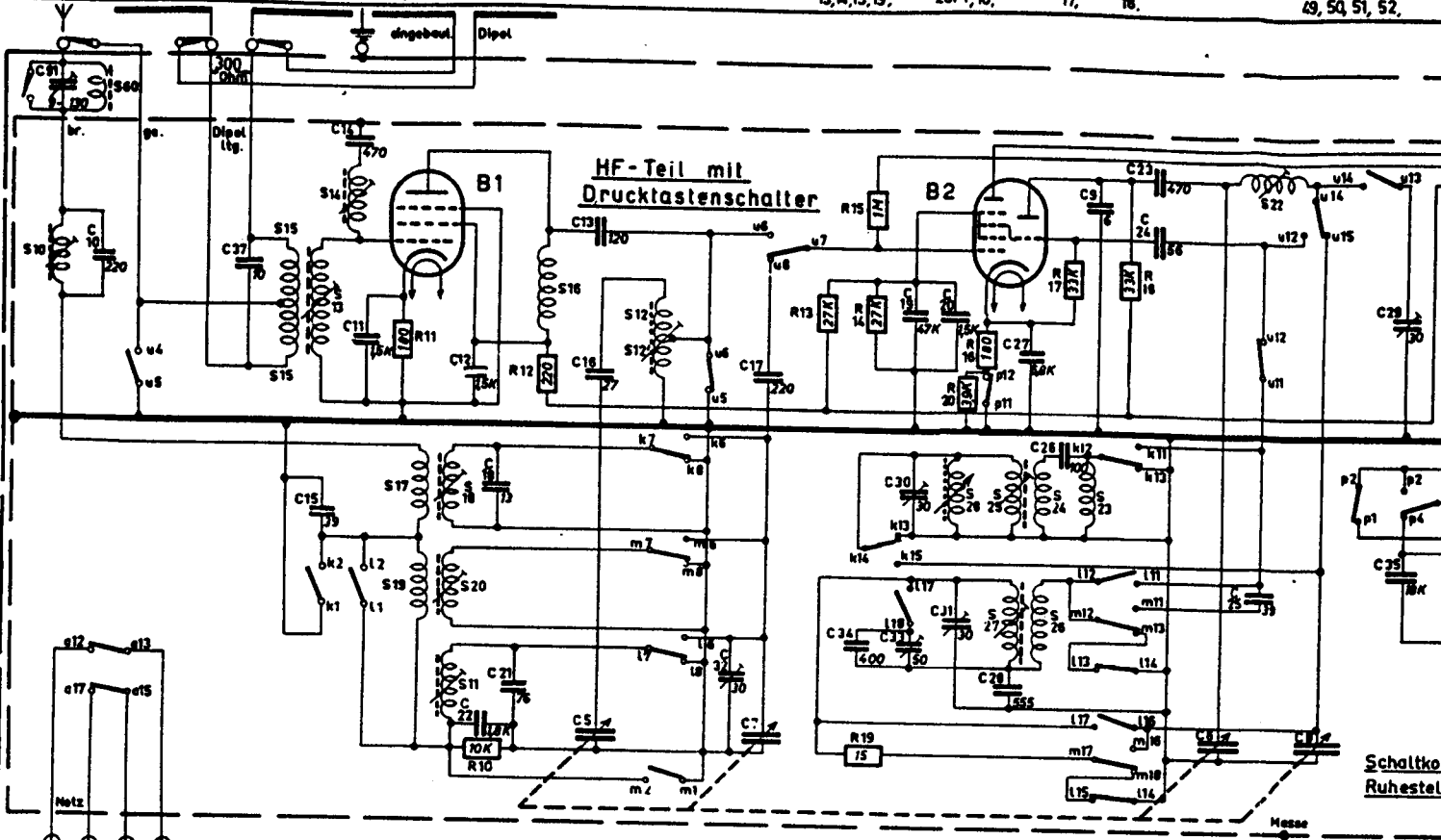


R1	1 000 Ω	48 468 10/1K	R58	2 200 Ω	48 555 10/2K2	C1	50 μF	49 020 84	C58	10 000 pF	48 207 50/10K
R10	10 000 Ω	48 555 10/10K	R59	100 000 Ω	48 555 10/100K	C2	50 μF		C59	115 pF	in S45, S46
R11	180 Ω	48 555 10/180E	R60	3 300 Ω	48 555 10/3K3	C5-8	2x22-2x492 pF	49 001 60	C60	115 pF	in S45, S46
R12	220 Ω	48 555 10/220E	R61	180 000 Ω	48 555 10/180K	C9	6 pF	WN 400 17	C61	33 pF	in S47, S48
R13	27 000 Ω	WN500 00	R62	120 000 Ω	48 556 10/120K	C10	220 pF	48 203 05/220E	C62	33 pF	in S47, S48
R14	27 000 Ω	48 557 10/27K	R63	15 000 Ω	48 555 10/15K	C11	1 500 pF	48 206 50/1K5	C63	12 pF	48 201 10/12E
R15	1 MΩ	48 555 10/1M	R64	470 000 Ω	48 555 10/470K	C12	1 500 pF	48 206 50/1K5	C64	120 pF	48 203 05/120E
R16	180 Ω	48 555 10/180E	R65	47 000 Ω	48 550 10/47K	C13	120 pF	48 203 20/120E	C65	1 500 pF	48 206 50/1K5
R17	33 000 Ω	48 550 10/33K	R66	820 000 Ω	48 555 10/820K	C14	470 pF	48 203 05/470E	C66	6 800 pF	48 207 50/6K8
R18	33 000 Ω	48 557 10/33K	R67	470 000 Ω	48 555 10/470K	C15	39 pF TX	48 601 10 /39E	C67	110 pF	in S49, S50
R19	15 Ω	48 555 10/15E	R68	1 000 Ω	48 550 10/1K	C16	27 pF TX	48 601 05/27E	C68	110 pF	in S49, S50
R20	3 900 Ω	48 555 10/3K9	R69	120 Ω	48 557 10/120E	C17	220 pF	48 203 20/220E	C69	82 pF	48 203 10/82E
R22	220 Ω	48 555 10/220E	R70	1 000 Ω	WE 362 65	C18	13 pF	48 200 10/13E	C70	68 pF	48 203 10/68E
R23	220 Ω	48 555 10/220E	R72	150 Ω	48 550 05/150E	C19	47 000 pF	48 751 20 /47K	C71	39 pF	in S51, S52
R24	220 000 Ω	48 555 10/220K				C20	1 500 pF	48 206 50/1K5	C72	100 000 pF	48 750 10/100K
R25	47 000 Ω	48 557 10/47K				C21	76 pF	48 203 01/76E	C73	330 pF	48 203 10/330E
R26	220 Ω	48 555 10/220E				C22	1 800 pF	48 750 10/1K8	C74	330 pF	48 203 10/330E
R27	470 000 Ω	48 555 10/470K				C23	470 pF	48 203 20/470E	C75	33 000 pF	48 750 20/33K
R28	82 000 Ω	48 557 10/82K				C24	56 pF	48 203 10 /56E	C76	5 μF	WN 400 09
R29	220 Ω	48 555 10/220E				C25	39 pF TX	48 601 10 /39E	C77	1 500 pF	48 206 50/1K5
R30	100 000 Ω	48 550 10/100K				C26	100 pF	48 203 02 /100E	C78	150 pF	48 203 10/150E
R31	1 MΩ	48 555 10/1M				C27	6 800 pF	48 207 50/6K8	C79	27 000 pF	48 750 10/27K
R32	150 000 Ω	48 550 10/150K				C28	555 pF TX	48 601 01 /555E	C80	10 000 pF	48 750 10/10K
R33	470 000 Ω	48 555 10/470K				C29	3 - 30 pF	28 212 36	C81	47 000 pF	48 751 20/47K
R34	27 MΩ	48 550 10/2M7				C30	3 - 30 pF	28 212 36	C82	330 000 pF	48 751 20/330K
R35	10 MΩ	48 555 10/10M				C31	3 - 30 pF	28 212 36	C83	120 pF	48 203 10/120E
R36	33 000 Ω	48 555 05/33K				C32	3 - 30 pF	28 212 36	C84	15 000 pF	48 751 10/15K
R37	680 Ω	48 550 05/680E				C33	50 pF TX	49 005 50	C85	33 000 pF	48 750 10/33K
R38	1 MΩ	48 555 10/1M				C34	400 pF	WN 400 15	C86	15 000 pF	48 751 10/15K
R39	1 MΩ	48 555 10/1M				C35	18 000 pF	48 750 10/18K	C87	390 pF	48 203 10/390E
R40	100 000 Ω	48 555 10/100K				C37	10 pF	48 200 10/10E	C88	22 000 pF	48 750 10/22K
R41	18 000 Ω	48 555 10/18K				C49	1 500 pF	48 206 50/1K5	C89	10 000 pF	48 750 10/10K
R42	450 000 Ω					C50	230 pF	in S40 - S42	C90	270 000 pF	48 750 10/270K
R43	50 000 Ω	WE362 66				C51	115 pF	in S40 - S42	C91	9 - 130 pF	WN 400 18
R44	1 000 Ω					C52	12 pF	48 201 10/12E	C92	470 pF	48 203 10/470E
R45	18 MΩ	48 555 10/1M8				C53	27 pF	in S43, S44			
R46	120 000 Ω	48 556 10/120K				C54	27 pF	in S43, S44			
R47	470 000 Ω	48 555 10/470K				C55	390 pF	48 203 05/390E			
R48	100 000 Ω	48 555 10/100K				C56	1 500 pF	48 206 50/1K5			
R49	680 Ω	48 555 10/680E				C57	1 500 pF	48 206 50/1K5			

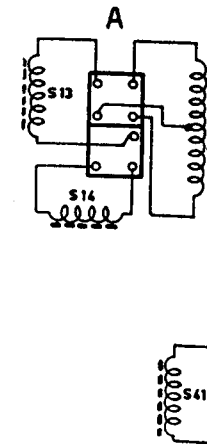
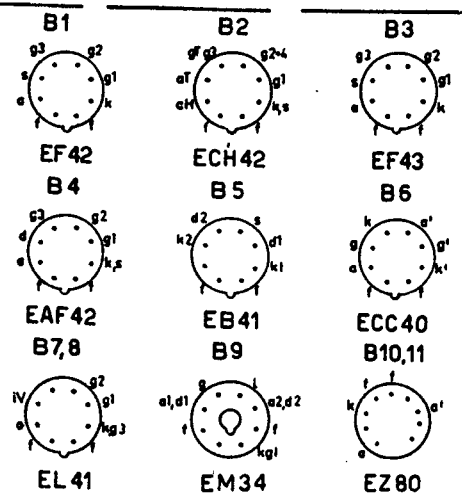
S1, S2, S3, S4, S5, S6, S7, S8, S9, S10, S11, S12, S12', S13, S14, S15, S15', S16, S17, S18, S19, S20 S22	WE 141 08 WE 120 16 WE 120 15 A3 115 30 A3 124 60 WE 374 53	S23, S24, S25, S26, S27 S28 S29 S40, S41, S42, C50, C51 S43, S44, C53, C54	WE 120 23 WE 110 52 WE 110 60 A3 122 80 A3 124 78.1	S45, S45', S46, S46', C59, C60 S47, S48, C61, C62 S49, S50, C67, C68 S51, S51', S52, S52', C71 S53 S62 S63	A3 122 32 A3 123 86 WE 120 22 WE 120 25 A1 000 35 34 001 01/2 WE 110 60	S54, S55, S56, S57 S60 S58 S59 HF-Einheit kompl. S10 - S28 C5 - C37 R10 - R19	WE 151 16 WE 110 54 49 239 94 49 239 94 WE 080 00
---	--	--	---	--	---	---	---



Schalterstellungen

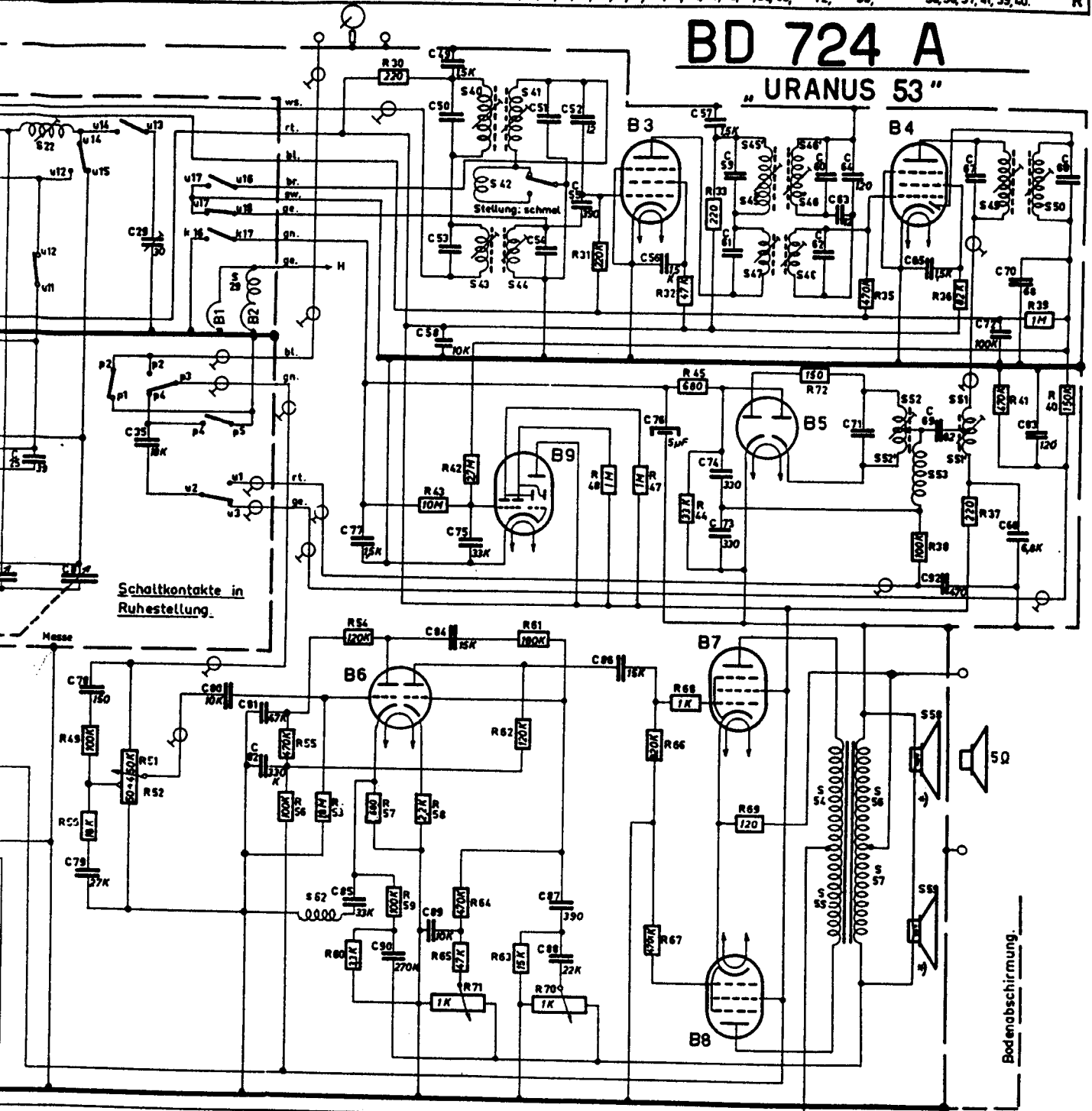
Schaltleisten von unten gesehen in Ruhestellung. Hub = 1 Kontakt

UKW	KW	MW	LW	PU	AUS
u	k	m	l	p	a



BD 724 A

"URANUS 53"



Schaltkontakte in Ruhestellung.

Bodenabschirmung.

Auf richtige Polung achten!

